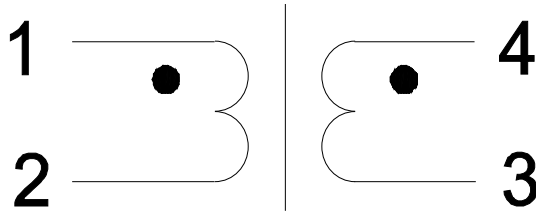


DANTRAF0 No.: DT 32098-13 Rev.: A0 Customer: DT
 Product type: HF TRANSFORMER Customer drawing no.: 115-2008-007-10
 Product shape: T60 UL Elec. Insula. Sys.: N/A

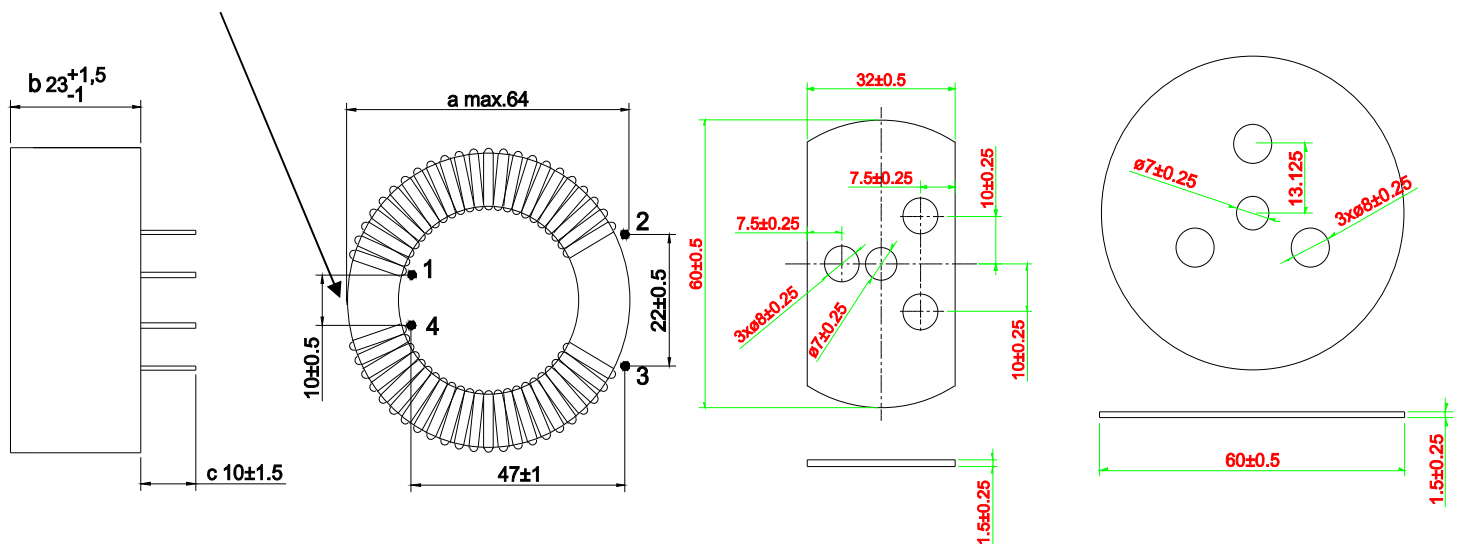
1. Schematic:



2. Mechanical Characteristics:

Unit: mm

DT 32098-13 YY/WW YY: Year
 115-2008-007-10 WW: Calender week



enclosed silicone rubber washer

3. Electrical characteristics:

1. Inductance	L(1-2)	$2.45 \pm 26.5\% \text{mH}@100\text{kHz}, 0.1\text{V}$
2. Inductance	L(1-2/3-4)	$50\text{uH max}@100\text{kHz}, 0.1\text{V}$
3. Hi-voltage	1-3	$3\text{kV}@\text{AC}, 50\text{Hz}, 2''$

Prepared by: Will Feng Approved by: Henry Ma
 Date: 150327 Date: 150327